

COMPANY

INTRODUCTION

公司简介

常州市重科齿轮箱制造有限公司是一家致力于技术、设计开发、生产、机电化经营为一体的综合性企业，主要生产 ZLYJ、ZSYJ、高扭矩 ZKG 系列单螺杆橡塑机械专用减速机，SZ 锥形双螺杆橡塑机械专用减速机，密炼、开炼、压延机械专用减速机，R 系列斜齿轮减速机、F 系列平行轴斜齿轮减速机、K 系列斜齿轮弧齿锥齿轮减速机、S 系列斜齿轮蜗轮蜗杆减速机。

Changzhou Zhongke Gearboxes Manufacture Co., Ltd is a comprehensive enterprise devotes to technology , design and development , produce and electromechanical operation. Mainly products are ZLYJ&ZSYJ series 、ZKG high torque series for single screw extruder ,SZ series for conical Twin-screw extruder , Special gearboxes for rubber machinery , and R/F/S/K series worm speed reducer.

STRUCTURAL FEATURES

结构特点

ZLYJ 系列齿轮箱主要与塑料挤出机配套使用，也可根据用户需要作为输出轴需承受大轴向推力的其他主机的传动部件。

本产品系列按 JB/T9050.1-1999 标准设计制造。产品的特点为：

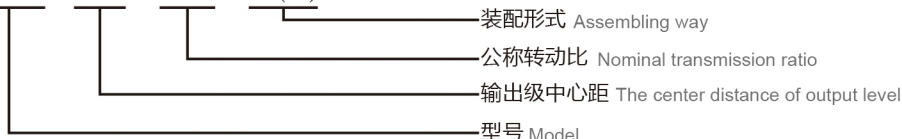
- 1、齿轮（轴）采用高强度合金钢经渗碳淬火磨齿加工，齿轮精度高、硬度高。
- 2、配置有高承载能力的推力座。所有轴承皆按连续工作 3 年以上设计配置。
- 3、除个别小规格产品外，皆配置有强制润滑和冷却系统。
- 4、ZLYJ 系列采用六面加工箱体，除可卧式安装外，在适当改进后，也可作立式安装。
- 5、传动效率高、噪声低、可长时间连续运行。

产品型号和标记

在减速器代号中，包括型输出级中心距、公称转动比、装置型式。

标记示例 /Label illustration :

ZLYJ - 225 - 12.5 - I (II)



ZLYJ series gear box is mainly used together with the plastic extruding machine. It can also be used as the driving part of other main machines of which the output shaft should bear the push of large axial, subject to the requirement of the users.

This series of products is designed and manufactured according to JB/T9050.1-1999. The product is featured by:

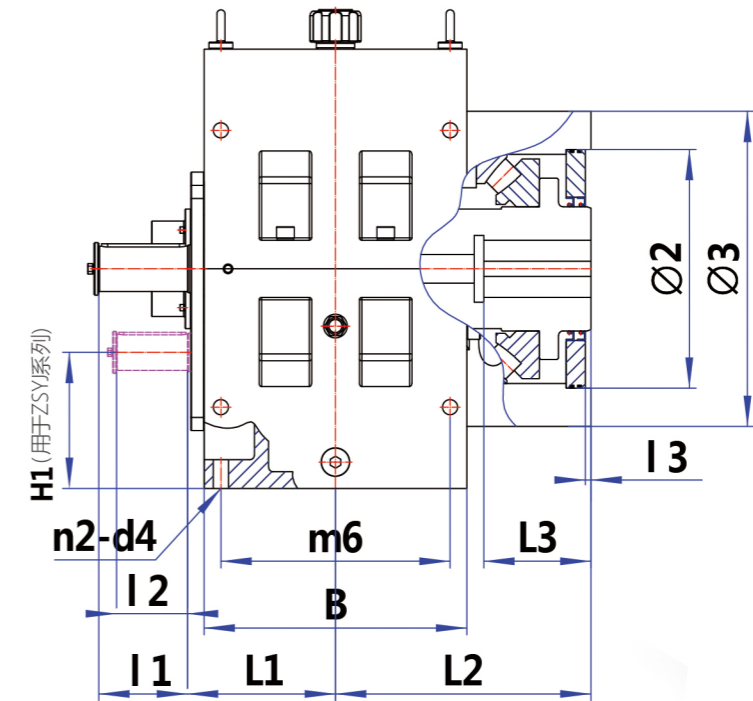
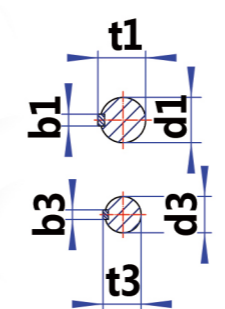
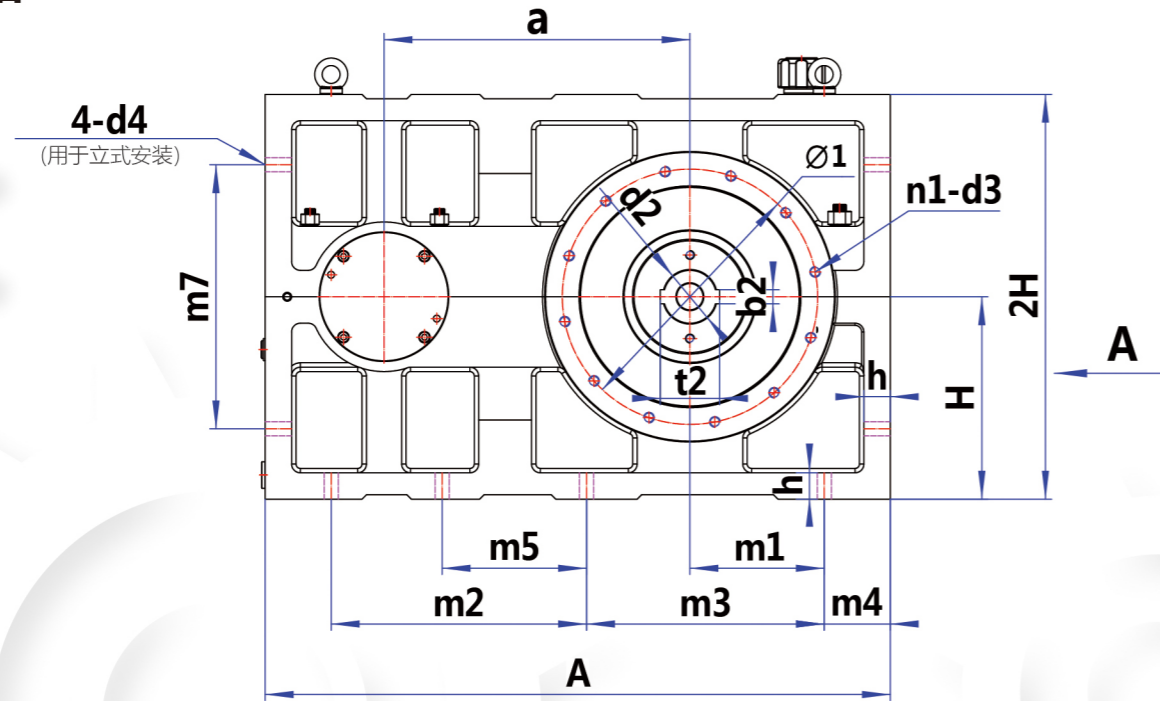
1. The gear (shaft) is made of high strength alloy steel through carburizing, quenching and gear grinding to achieve high gear precision and high hardness.
2. Allocated with thrust seat of high loading capacity, all bearings are designed in such a way that they can work continuously for more than 3 years.
- 3.Except some products of small specifications,the products are all allocated with compulsory lubricating and cooling systems.
- 4.Series ZLYJ products adopt hexahedral machining box,so that in addition to horizontal installation,the vertical installation can also be realized after proper improvement is made.
5. High transmission efficiency, low noise and long-time continuous work.

Model and markers

Speed reducer designation include output stage center distance ,nominal transmission ratio and device type. labeled examples.

ZHONGKE GEARBOX

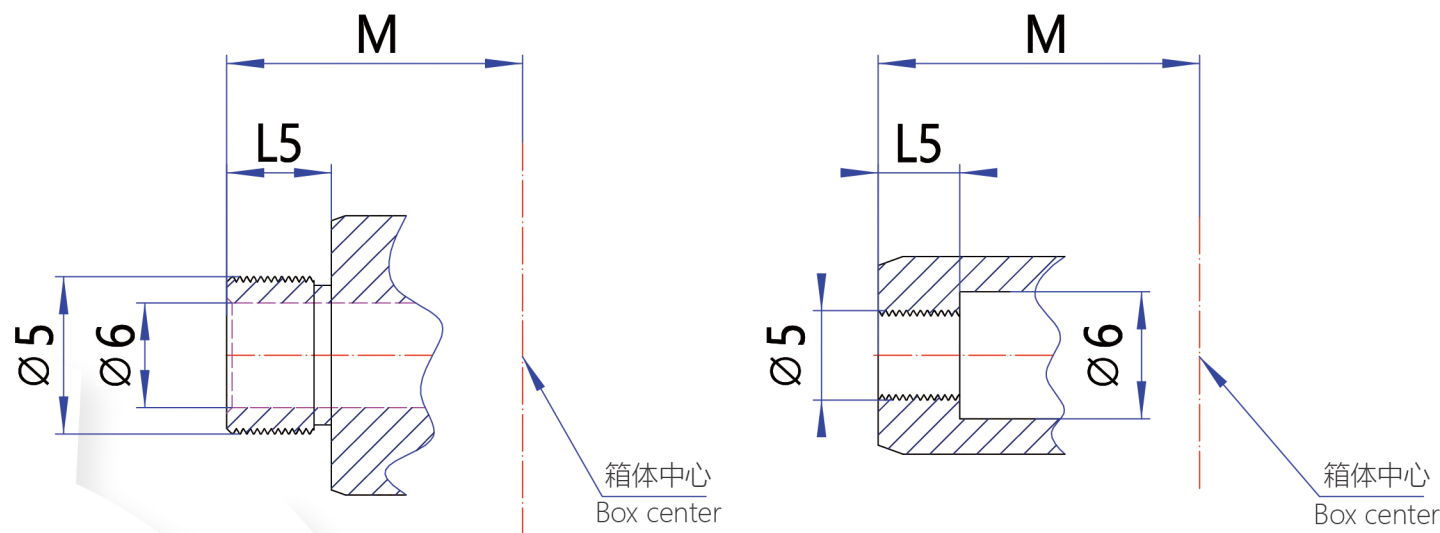
重科齿轮箱



EXTERNAL DIMENSIONS

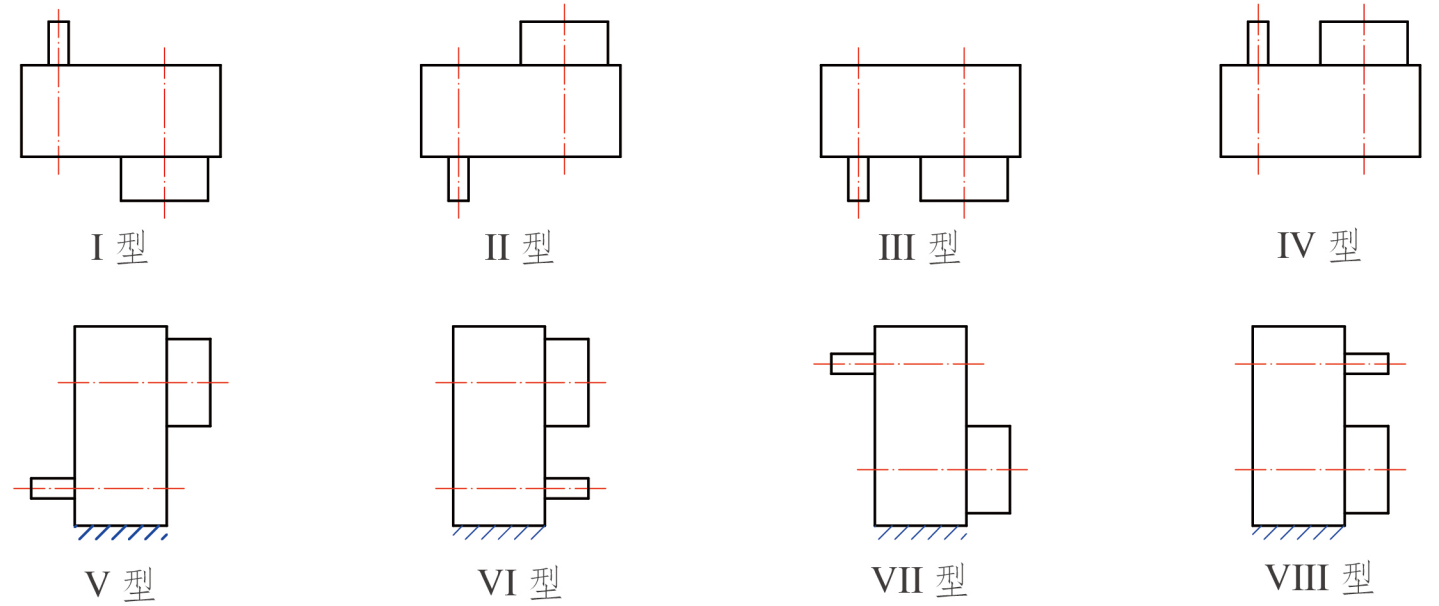
外形尺寸

型号 Model	a	外形尺寸 External dimensions						地脚安装尺寸 Installing dimensions of foundation							输入轴尺寸 Dimension of input shaft							输出轴尺寸 Dimension of output shaft						输出轴尾部尺寸 Dimension of output shaft tail					推力包联接尺寸 Connecting dimensions of thrust block					推力滚子轴承 Thrust roller bearing	重量 Weight	油/KG Oil/KG		
		A	B	H	H1	h	n2	d4	m1	m2	m3	m4	m5	m6	m7	L1	d1(m6)	l1	d3(m6)	l2	t1	t3	b1	b3	d2(H8)	t2	b2	L3	d5	d6	L5	M	L2	Φ1	Φ2(H7)	I3	Φ3				n1	d3
112	184	426	170	130	/	18	4	14	96	/	326	50	/	136	170	106	28	60	/	/	31	/	8	/	35	38.3	10	52	18	内M16	30	125	203	185	160	8	210	6	M10	29412	95	5
133	218	478	215	140	/	20	6	16	104	185	185	61	/	180	184	125	28	60	/	/	31	/	8	/	38	41.3	10	80	20	内M16	30	137	205	205	180	8	230	8	M12	29415E	135	8
146	256	560	250	160	/	22	6	16	118	190	235	72	/	210	210	148	32	70	/	/	35	/	10	/	45	48.8	14	120	20	内M18	36	167	245	230	200	12	260	8	M12	29417E	190	12
173	285	576	256	170	/	22	6	18	113.5	220	220	68	/	225	214	148	38	80	/	/	41	/	10	/	50	57.6	14x2	140	25	内M20	30	167	250	260	230	8	300	8	M16	29420E	230	14
180	320	650	300	200	/	25	6	18	130	260	250	70	/	260	270	170	40	80	/	/	43	/	12	/	60	68.6	16x2	140	25	内M20	40	171	300	260	230	10	300	8	M16	29422E	310	17
200	340	750	340	240	130	32	6	18	150	275	275	100	/	290	310	200	45	80	42	80	48.5	45	14	12	60	68.8	18x2	170	40	内M56x4	40	200	330	300	270	8	350	12	M16	29424E	450	30
225	385	800	360	250	125	34	6	26	165	310	310	90	/	315	330	205	55	110	42	82	59	45	16	12	70	78.8	18x2	170	40	内M56x4	40	215	355	370	330	10	420	12	M20	29428E	600	35
250	430	930	380	280	140	42	6	26	205	360	360	105	/	330	340	220	60	110	48	82	64	51.5	18	14	80	90.8	22x2	180	55	内M64x4	40	222	380	370	330	10	420	12	M20	29432E	750	52
280	480	970	410	300	154	45	6	30	200	385	385	100	/	355	380	240	65	125	55	110	69	59	18	16	90	100.8	25x2	180	55	内M64x4	40	235	405	400	360	12	450	12	M24	29434E	980	65
315	539	1160	450	350	190	50	6	30	260	450	450	130	/	390	460	260	75	140	60	110	79.5	64	20	18	100	112.8	28x2	200	55	内M64x4	40	263	440	405	365	16	450	12	M24	29434E	1250	90
330	575	1160	450	350	170	60	6	30	225	450	450	130	/	390	425	260	85	170	65	125	90	69	22	18	110	122.8	28x2	220	60	内M90x4	40	263	445	450	400	10	500	12	M24	29438E	1400	95
375	625	1280	466	400	220	60	8	32	250	475	500	165	265	400	500	265	85	170	75	170	90	79.5	22	20	110	122.8	28x2	255			345	445	450	400	10	500	12	M24	29440E	1970	125	
395	680	1310	507	425	225	60	8	32	300	530	550	115	295	447	600	285.5	85	170	85	170	90	90	22		110	122.8	28x2	255			363.5	493.5	500	450	10	570	12	M24	29448E	2500	160	
420	695	1420	550	460	260	60	8	32	305	580	540	150	328	480	600	310	95	130	85	170	100	90	25	22	120	134.8	32x2	270			370	535	580	500	10	660	12	M30	29452E	2950	180	
450	765	1550	600	500	276	60	8	32	300	600	600	190	300	520	600	350	100	130	80	130	106	85	28	22	170	188.8	40x2	250			425	600	610	500	15	700	12	M30	29456E	4200	230	
500	855	1700	640	540	313	70	8	40	345	670	660	190	360	550	/	370	110	170	90	170	116	95	28	25	170	188.8	40x2	270			420	650	680	580	15	780	12	M36	29460E	4800	280	
560	960	1850	610	580	324	80	8	48	390	730	780	170	390	510	/	355	120	180	95	130	127	100	32	25	160	178.8	40x2	300			435	670	720	620	25	805	12	M36	29468E	5900	320	
630	1070	2000	770	630	350	80	8	48	400	850	800	200	450	670	/	430	120	165	110	165	127	116	32	28	180	200.8	45x2	340			520	760	720	650	25	805	12	M36	29468E	8800	400	



ASSEMBLING WAY

装配形式



TECHNICAL PARAMETERS

技术参数

公转传动比 Ratio	公转转速 (rpm) Revolution speed		额定功率 P1 (KW) 与额定输出扭矩 T2 (kNm) Rated Power P1(KW) and Rated output Torque T2(kNm)																													
			减速机规格 Gearbox Specification																													
	输入 n1 Input	输出 n2 Output	112		133		146		173		180		200		225		250		280		315		330		375		395		420		450	
i			P1	T2	P1	T2	P1	T2	P1	T2	P1	T2	P1	T2	P1	T2	P1	T2	P1	T2	P1	T2	P1	T2	P1	T2	P1	T2	P1	T2	P1	T2
8	1500	188	12.8	0.65	20.8	1.06	28.3	1.44	46.9	2.39	49.2	2.47	73	3.7	100	5.09	139	7.07	188	9.56	271	13.8	340	17.3	436	22.2	470.8	23.9	607	30.9	748	38.1
	1000	125	8.6	0.66	14.4	1.1	19.4	1.48	32.7	2.5	34.3	2.59	50	3.85	69	5.29	96	7.37	130	9.93	188	14.4	236	18	302	23.1	326	24.9	420	32.1	520	39.7
	750	94	6.8	0.69	11.2	1.14	14.9	1.52	24.6	2.51	25.8	2.59	39	3.95	53	5.42	74	7.58	100	10.2	145	14.8	182	18.5	233	23.7	251	25.5	324	33	400	40.7
10	1500	150	10.4	0.66	17	1.08	22.5	1.43	37.9	2.41	39.8	2.53	60	3.8	82	5.2	114	7.23	153	9.75	221	14.1	278	17.7	357	22.7	385.6	24.5	495	31.5	613	39
	1000	100	7.2	0.69	11.7	1.12	15.5	1.48	26	2.48	27.3	2.61	41	3.94	57	5.42	79	7.53	107	10.2	154	14.7	193	18.4	247	23.6	266.7	25.5	343	32.8	424	40.5
	750	75	5.6	0.71	9	1.15	11.8	1.5	19.9	2.54	20.89	2.67	32	4.08	44	5.55	61	7.74	82	10.4	119	15.1	148	18.9	190	24.2	205.2	26.1	265	33.7	327	41.6
12.5	1500	120	8.4	0.67	13.6	1.08	18.1	1.44	29.7	2.36	31.2	2.48	47	3.71	66	5.25	92	7.29	124	9.9	180	14.3	225	17.9	289	23	312	24.8	402	32	496	39.5
	1000	80	5.6	0.67	9.5	1.13	12.4	1.48	20.3	2.42	21.3	2.52	32	3.87	46	5.44	64	7.59	86	10.3	125	14.9	156	18.6	200	23.9	216	25.8	278	33.2	343	41
	750	60	4.4	0.7	7.2	1.15	9.5	1.51	15.6	2.49	16.4	2.61	25	4.01	35	5.6	49	7.77	67	10.6	96	15.3	120	19.1	154	24.5	166.3	26.5	214	34.1	265	42.2
14	1500	107			12.2	1.09	16.2	1.44	26.4	2.35	27.7	2.47	42	3.74	59	5.28	82	7.35	112	9.95	162	14.4	202	18	259	23.1	279.7	25	361	32.2	447	39.8
	1000	71			8.5	1.14	11.1	1.49	18.2	2.43	19.3	2.59	29	3.9	41	5.46	57	7.59	77	10.3	112	15	140	18.7	180	24	194.4	26.2	250	33.4	309	41.3
	750	54			6.4	1.14	8.5	1.52	13.9	2.48	14.6	2.58	22	3.99	32	5.63	44	7.84	59	10.6	86	15.4	108	19.3	139	24.7	150.1	28.1	192	34.3	238	42.4
16	1500	94			10.6	1.08	14.2	1.45	24.5	2.5	26.1	2.65	39	3.99	53	5.42	74	7.54	100	10.2	145	14.8	182	18.5	233	23.7	251.6	25.6	324	33	400	40.7
	1000	63			7.3	1.11	9.8	1.49	16.8	2.57	17.8	2.7	27	4.16	37	5.62	51	7.82	69	10.6	100	15.3	126	19.2	161	24.6	173.8	26.3	224	34.2	277	42.4
	750	47			5.7	1.16	7.7	1.56	13.1	2.66	13.9	2.82	21	4.32	28	5.79	40	8.07	54	10.9	77	15.7	97	19.7	124	25.3	133.9	27.2	173	35.2	213	43.4
18	1500	83			9.5	1.09	12.8	1.47	21.5	2.46	22.6	2.6	34	3.94	46	5.27	64	7.38	90	10.3	130	14.9	163	18.7	209	24	225.7	26.1	291	33.4	360	41.2
	1000	56			6.6	1.14	8.8	1.52	14.8	2.54	15.5	2.65	24	4.09	32	5.5	44	7.63	62	10.7	90	15.5	113	19.4	145	24.9	156.6	26.7	201	34.6	249	42.8
	750	42			5.1	1.17	6.8	1.55	11.3	2.58	11.8	2.68	18	4.22	24	5.59	34	7.88	48	11	70	16	87	20	112	25.6	121	27.5	155	35.6	192	43.9
20	1500	75			8.7	1.11	11.5	1.47	20.1	2.56	21.1	2.68	31	3.92	41	5.25	57	7.23	82	10.4	119	15.1	150	19.1	196	24.9	211.6	26.9	272	34.6	335	42.7
	1000	50			6	1.14	8.1	1.55	14	2.67	14.7	2.81	21	4.09	29	5.5	38	7.26	57	10.8	82	15.7	102	19.5	130	24.9	140.4	26.8	182	34.7	224	42.8
	750	38			4.7	1.2	6.2	1.58	10.8	2.74	11.3	2.84	16	4.18	22	5.6	30	7.74	44	11.1	63	16.1	78	19.8	98	25	105.8	26.6	137	34.8	168	42.8

注：ZSYJ 选型时，额定功率 P1 (KW) 与额定输出扭矩 T2 (kNm)，请于本公司联系。